



# BAGSAN

## BGS-105/15

Rotating Telehandler



# Technical Specifications

**15**  
meters



# BGS-105/15

Rotating Telehandler

# Technical Specifications

## General Information

The BGS-105/15, one of the most powerful and versatile models from BAGSAN Global, is designed to deliver exceptional performance and reliability under challenging working conditions. With a lifting capacity of **4500 kg**, a maximum outreach of **13 meters**, and a lifting height of **15 meters**, it is built to handle heavy loads with ease.

## Technical Specifications and Advantages

**Lifting Capacity:** 4500 kg, ensuring high stability and safety for heavy-duty operations.

**Lifting Height:** 15 meters, enabling efficient performance at elevated levels.

**Outreach:** 13 meters, offering enhanced accessibility in large work areas.

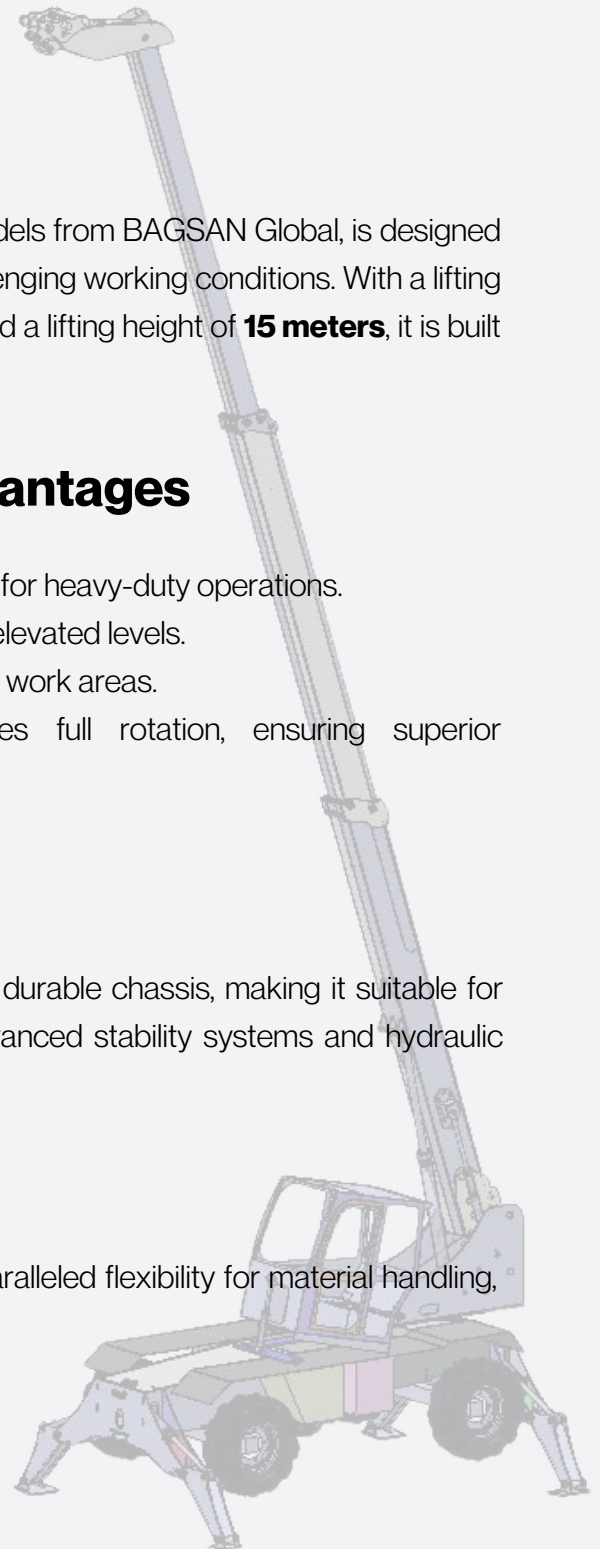
**360-Degree Rotation:** The telescopic boom provides full rotation, ensuring superior maneuverability even in confined spaces.

## Performance and Safety

The BGS-105/15 is equipped with a powerful engine and a durable chassis, making it suitable for demanding construction sites and logistics operations. Advanced stability systems and hydraulic controls meet the highest safety standards.

## Versatility

Compatible with various attachments, this model offers unparalleled flexibility for material handling, loading, unloading, and placement tasks.





# BGS-105/15

Rotating Telehandler

# Technical Specifications

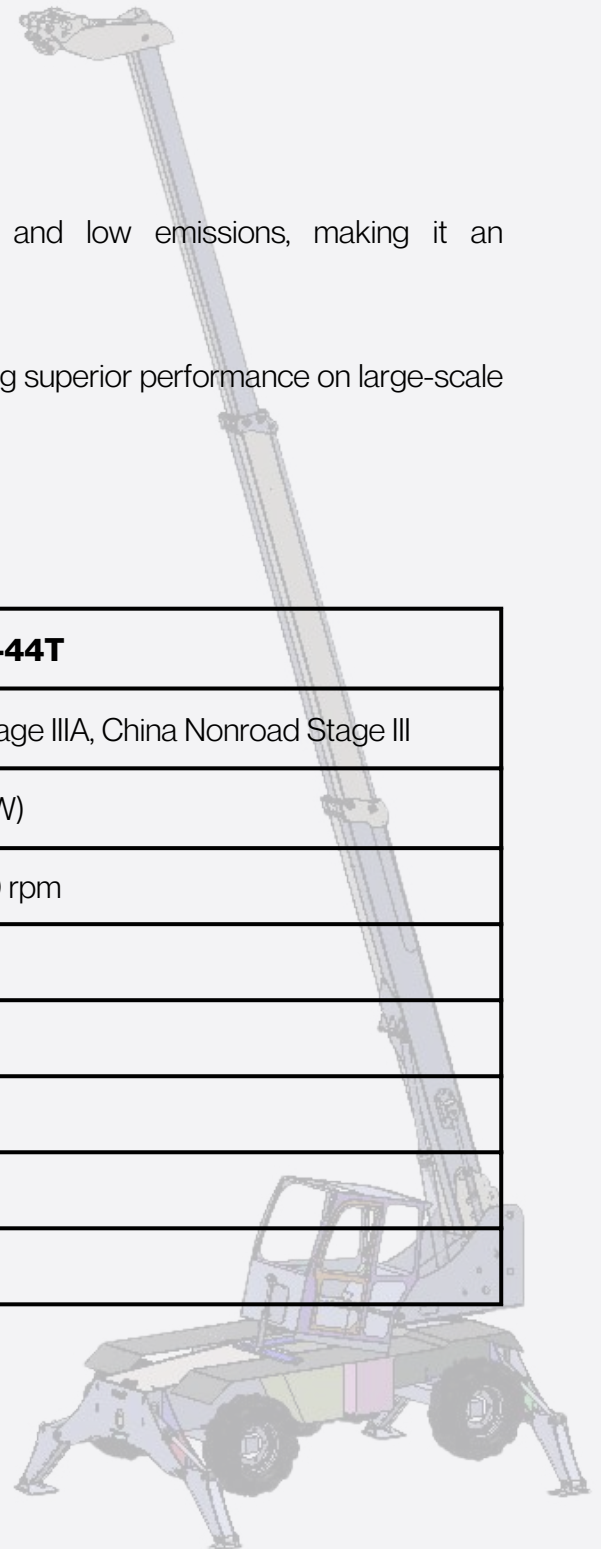
## Sustainability

Its modern engine technology ensures fuel efficiency and low emissions, making it an environmentally friendly choice.

The BGS-105/15 is the ideal solution for professionals seeking superior performance on large-scale projects.

## Engine

<b>Brand &amp; Model</b>	<b>Perkins 1104D-44T</b>
<b>Emissions</b>	UN ECE R96 Stage IIIA, China Nonroad Stage III
<b>Maximum Power</b>	99.9 HP (74.5 kW)
<b>Maximum Torque</b>	392 Nm @ 1400 rpm
<b>Number of Cylinders</b>	4 inline
<b>Cycle</b>	4 stroke
<b>Aspiration</b>	Turbocharged
<b>Combustion System</b>	Direct injection
<b>Cooling System</b>	Liquid





# BGS-105/15

Rotating Telehandler

# Technical Specifications

## WHEELS

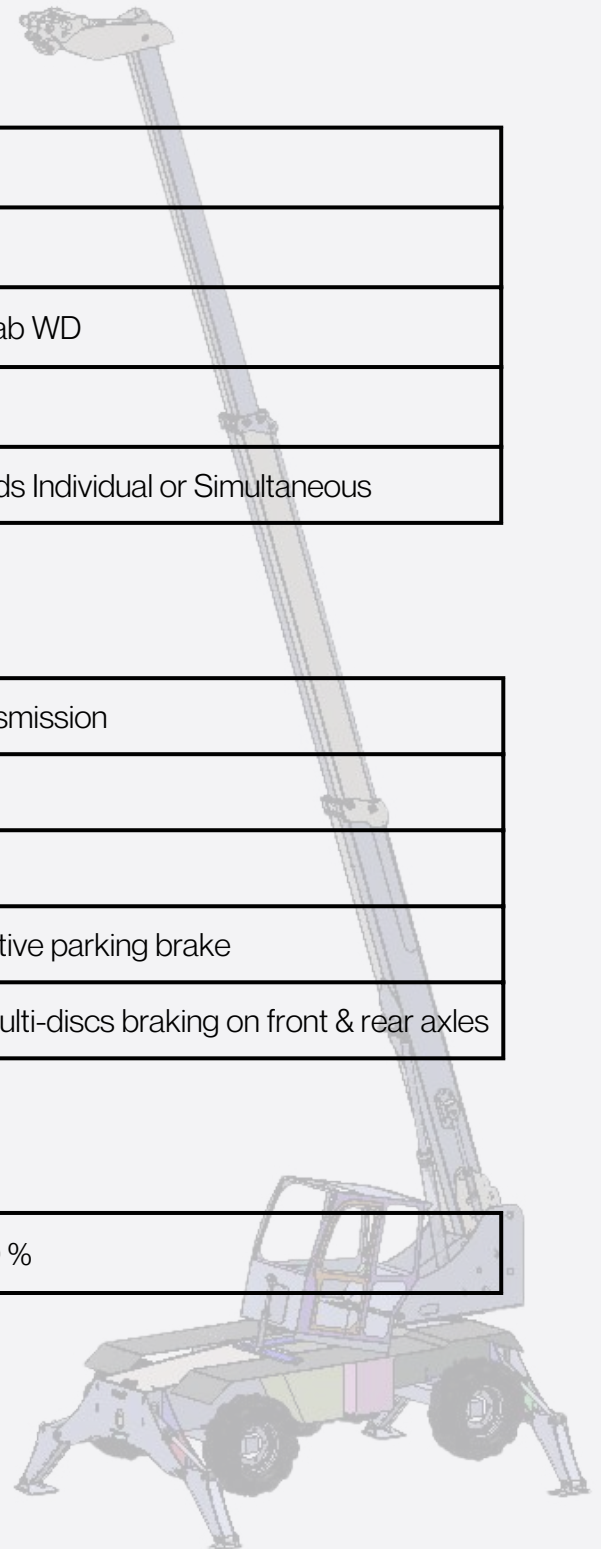
<b>Standard Tires</b>	18-19.5
<b>Drive Wheels (front/ rear)</b>	2 / 2
<b>Steering Mode</b>	2 WD, 4 WD, Crab WD
<b>Stabilisers</b>	Spider Type
<b>Stabs Type Controls with Stabs</b>	Stabs Commands Individual or Simultaneous

## TRANSMISSION

<b>Transmission Type</b>	Automatic Transmission
<b>Number of Gears (forward / reverse)</b>	4 / 4
<b>Max. Travel Speed</b>	40 km/h
<b>Parking Brake</b>	Automatic negative parking brake
<b>Service Brake</b>	Oil-immersed multi-discs braking on front & rear axles

## GRADEABILITY

<b>Laden / Unladen</b>	48.70 % / 49.80 %
------------------------	-------------------





# BGS-105/15

Rotating Telehandler

# Technical Specifications

## HYDRAULICS

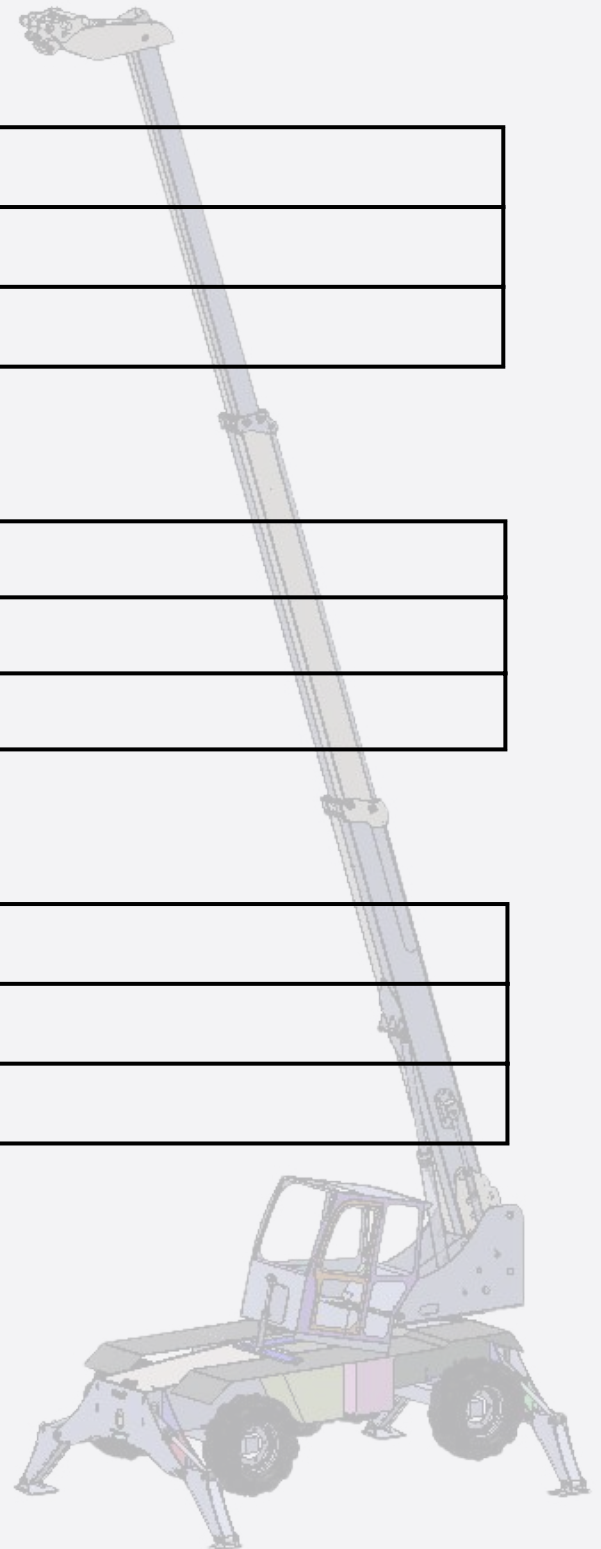
<b>Pump Type</b>	Gear Pump
<b>Hydraulic Flow</b>	100 lt/min
<b>Hydraulic Pressure</b>	200 bar

## TANK CAPACITIES

<b>Engine Oil</b>	18 lt
<b>Hydraulic oil</b>	125 lt
<b>Fuel tank</b>	125 lt

## NOISE AND VIBRATION

<b>Noise at driving position (LPA)</b>	68 dB
<b>Environmenta noise (LwA)</b>	106 dB
<b>Vibration to whole hand/arm</b>	< 2.50 m/s <sup>2</sup>



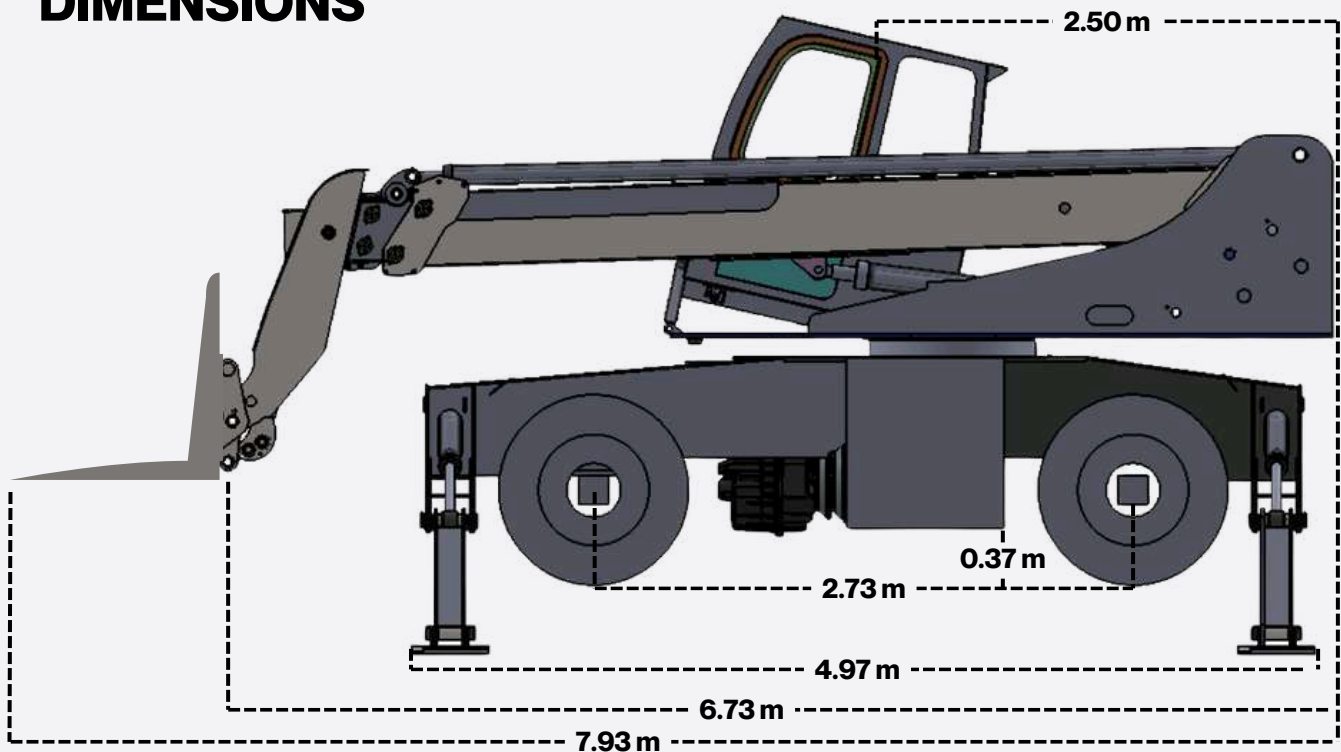


# BGS-105/15

Rotating Telehandler

# Technical Specifications

## DIMENSIONS



<b>Overall Length (with forks)</b>	7.93 m
<b>Length to Face of Forks</b>	6.73 m
<b>Length of Frame</b>	4.97 m
<b>Overall Length at Stabilisers</b>	4.71 m
<b>Wheelbase</b>	2.73 m
<b>Counterweight Offset (turret at 90°)</b>	2.50 m
<b>Ground Clearance</b>	0.37 m

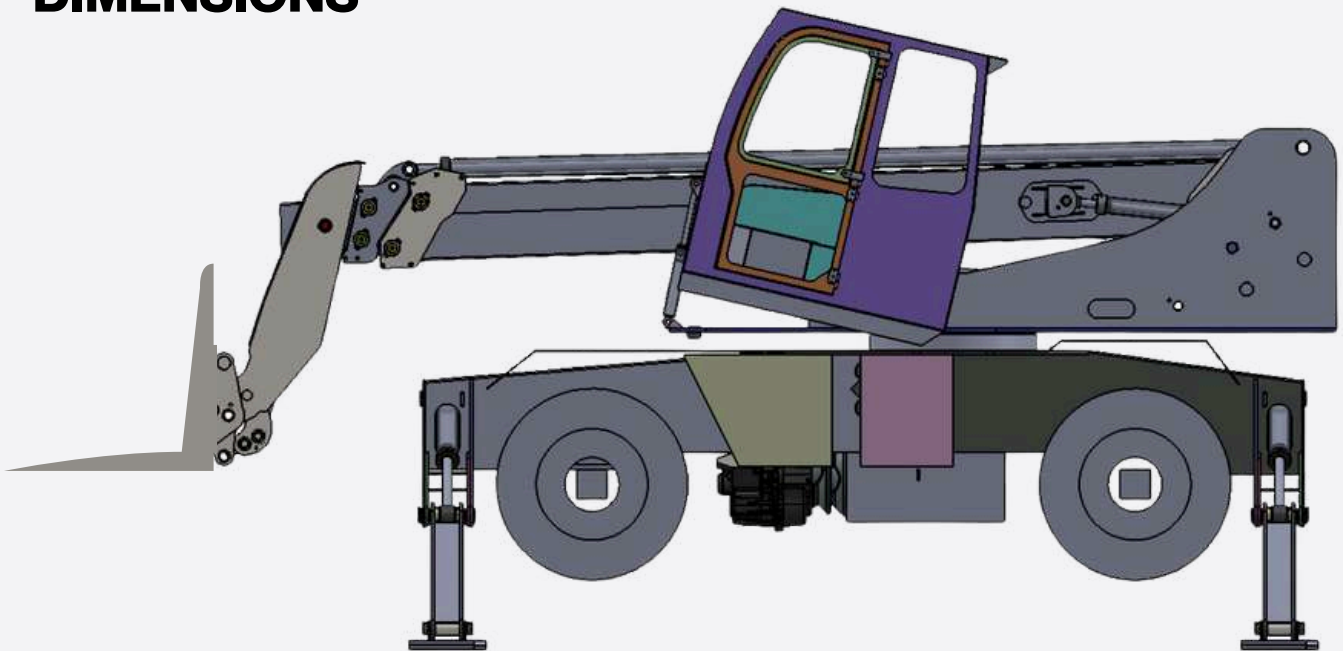


# BGS-105/15

Rotating Telehandler

# Technical Specifications

## DIMENSIONS



<b>External Turning Radius (over tyres)</b>	4.16 m
<b>Tilt-up Angle</b>	10°
<b>Tilt-down Angle</b>	107°
<b>Turret Rotation / Rotation (max.)</b>	400° or 360°
<b>Overall Weight</b>	13600 kg
<b>Forks Length / Width / Section</b>	1200 mm x 125 mm x 50 mm

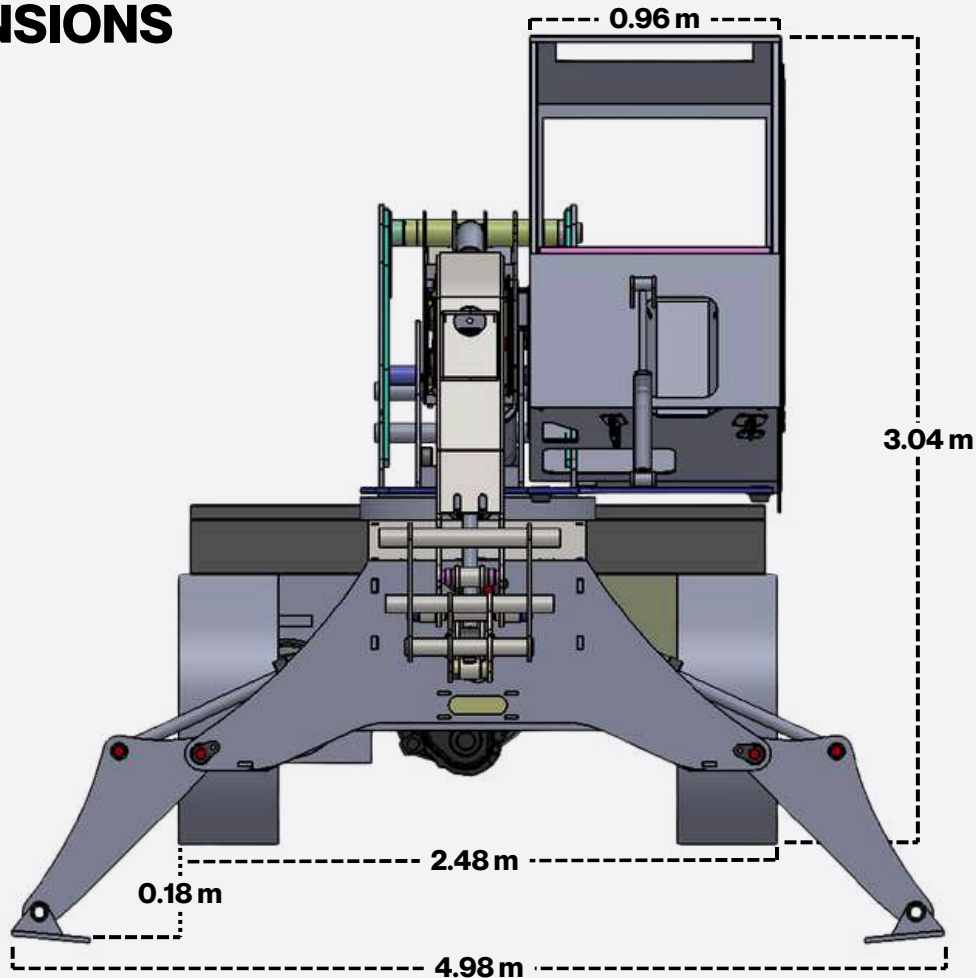


# BGS-105/15

Rotating Telehandler

# Technical Specifications

## DIMENSIONS



<b>Overall Width with Stabilisers Extended</b>	4.98 m
<b>Overall Height</b>	3.04 m
<b>Overall Width</b>	2.48 m
<b>Overall Cab Width</b>	0.96 m
<b>Ground Clearance under Front Tires on Stabilizers</b>	0.18 m





# BGS-105/15

Rotating Telehandler

# Technical Specifications

## COMPATIBLE ATTACHMENTS

- **Standart Bucket**
- Opening Bucket Large
- **Grain Bucket**
- Beet Bucket
- **Grapple Bucket**
- Silage Cutting Fork
- **Log Grapple Fork**
- Log Grapple 360°
- **Paper Roll Clamp**
- **Roll Bale Handling**
- Bale Skewer 3 Fork
- **Bale Skewer 7 Fork**
- Pallet Fork
- **Recycling Handling**
- Platform Basket Small
- **Platform Basket Large**
- Leveling Shovel







SCAN FOR  
ATTACHMENTS





# BAĞSAN

-  Horozluhan Mh. Albayrak Cd. No:1 Selçuklu / Konya / TÜRKİYE
-  [www.bagsanglobal.com](http://www.bagsanglobal.com)
-  [info@bagsanglobal.com](mailto:info@bagsanglobal.com)
-  +90 544 409 98 11

