



BAGSAN

BGS-105/20

Rotating Telehandler



Technical Specifications

20,6
meters



BGS-105/20

Rotating Telehandler

Technical Specifications

General Information

The BGS-105/20, one of the most powerful and versatile models from BAGSAN Global, is designed to deliver exceptional performance and reliability under challenging working conditions. With a lifting capacity of **4500 kg**, a maximum outreach of **18 meters**, and a lifting height of **20.6 meters**, it is built to handle heavy loads with ease.

Technical Specifications and Advantages

Lifting Capacity: 4500 kg, ensuring high stability and safety for heavy-duty operations.

Lifting Height: 20.6 meters, enabling efficient performance at elevated levels.

Outreach: 18 meters, offering enhanced accessibility in large work areas.

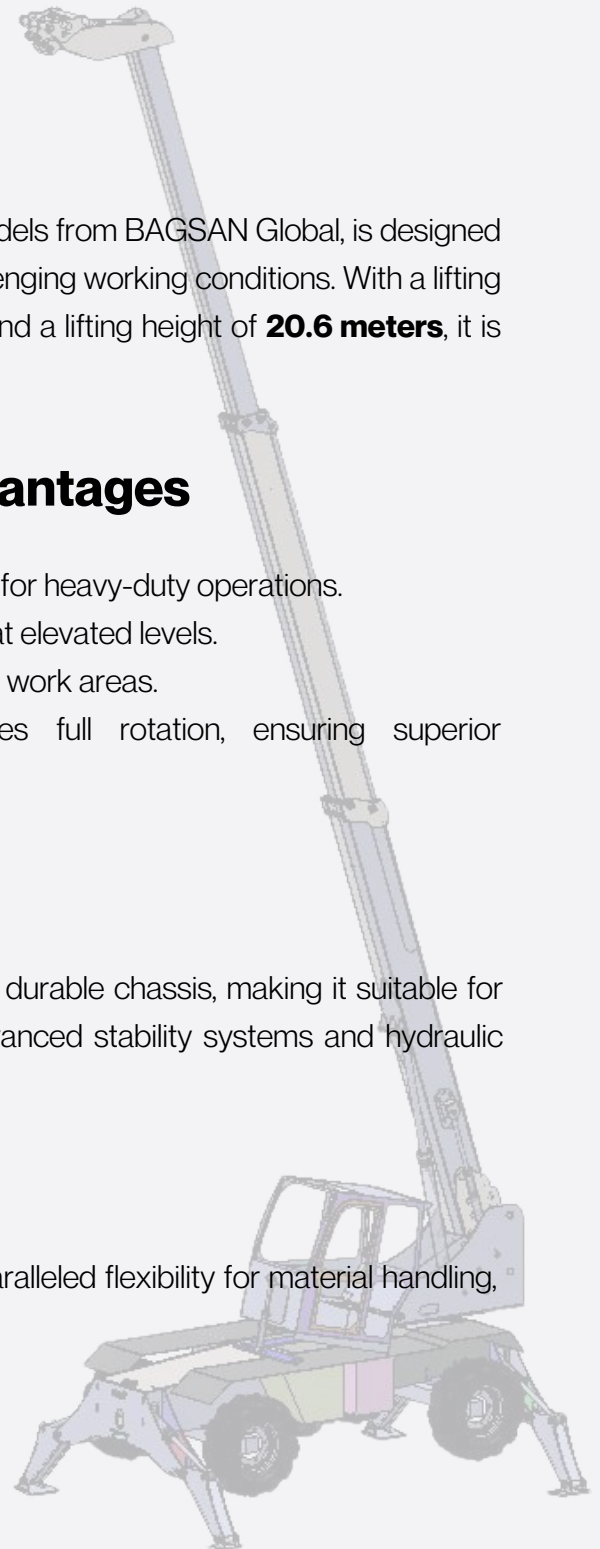
360-Degree Rotation: The telescopic boom provides full rotation, ensuring superior maneuverability even in confined spaces.

Performance and Safety

The BGS-105/20 is equipped with a powerful engine and a durable chassis, making it suitable for demanding construction sites and logistics operations. Advanced stability systems and hydraulic controls meet the highest safety standards.

Versatility

Compatible with various attachments, this model offers unparalleled flexibility for material handling, loading, unloading, and placement tasks.





BGS-105/20

Rotating Telehandler

Technical Specifications

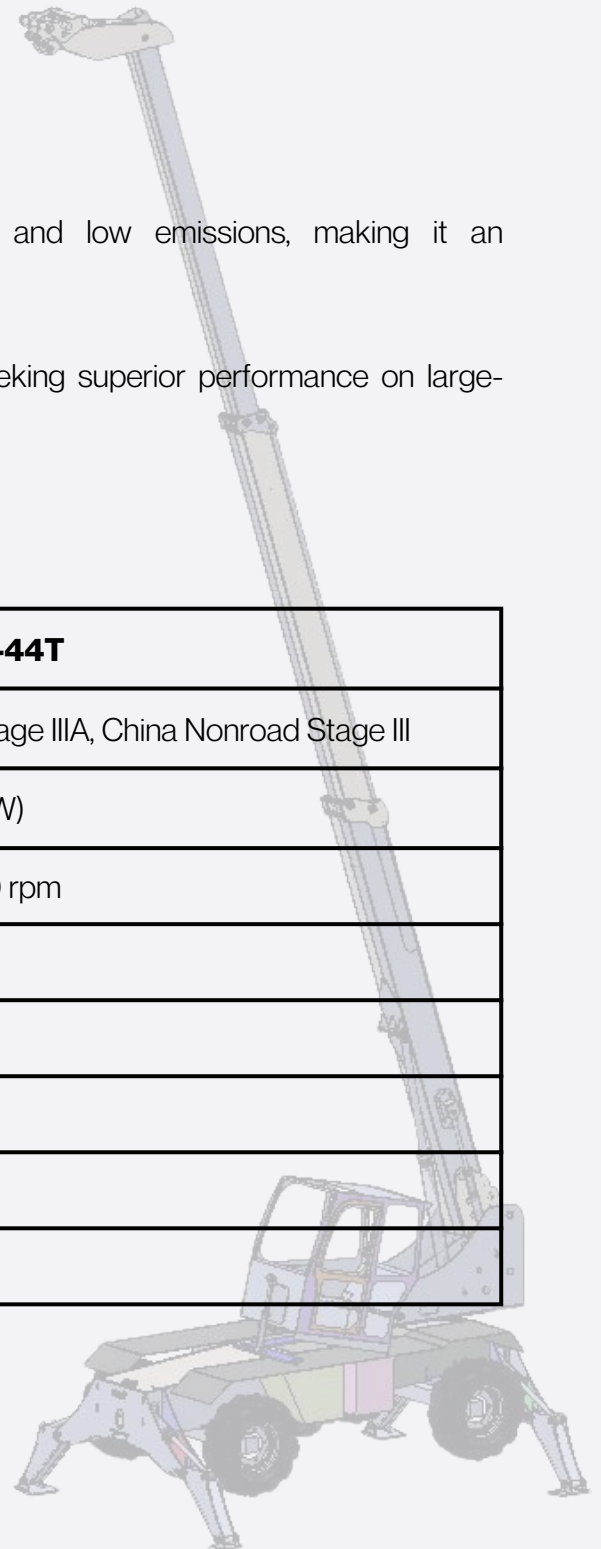
Sustainability

Its modern engine technology ensures fuel efficiency and low emissions, making it an environmentally friendly choice.

The BGS-105/20 is the ideal solution for professionals seeking superior performance on large-scale projects.

Engine

Brand & Model	Perkins 1104D-44T
Emissions	UN ECE R96 Stage IIIA, China Nonroad Stage III
Maximum Power	99.9 HP (74.5 kW)
Maximum Torque	392 Nm @ 1400 rpm
Number of Cylinders	4 inline
Cycle	4 stroke
Aspiration	Turbocharged
Combustion System	Direct injection
Cooling System	Liquid





BGS-105/20

Rotating Telehandler

Technical Specifications

WHEELS

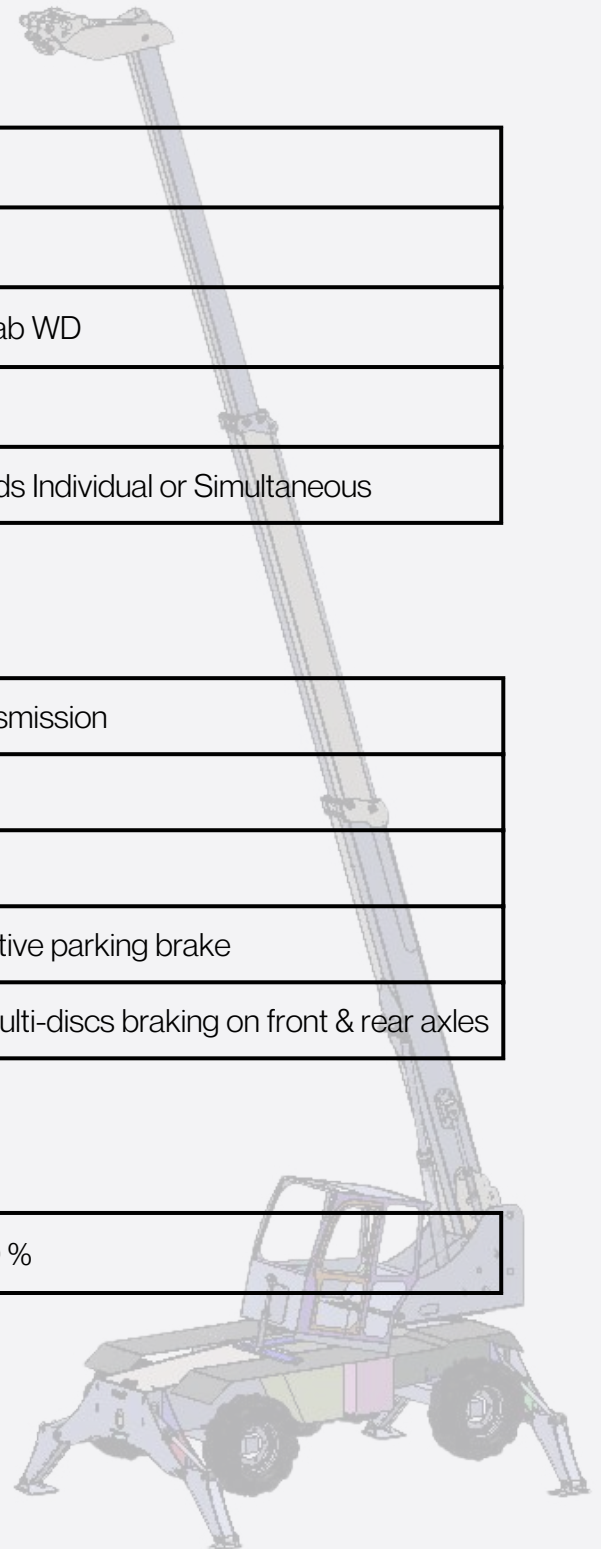
Standard Tires	18-19.5
Drive Wheels (front/ rear)	2 / 2
Steering Mode	2 WD, 4 WD, Crab WD
Stabilisers	Spider Type
Stabs Type Controls with Stabs	Stabs Commands Individual or Simultaneous

TRANSMISSION

Transmission Type	Automatic Transmission
Number of Gears (forward / reverse)	4 / 4
Max. Travel Speed	40 km/h
Parking Brake	Automatic negative parking brake
Service Brake	Oil-immersed multi-discs braking on front & rear axles

GRADEABILITY

Laden / Unladen	48.70 % / 49.80 %
------------------------	-------------------





BGS-105/20

Rotating Telehandler

Technical Specifications

HYDRAULICS

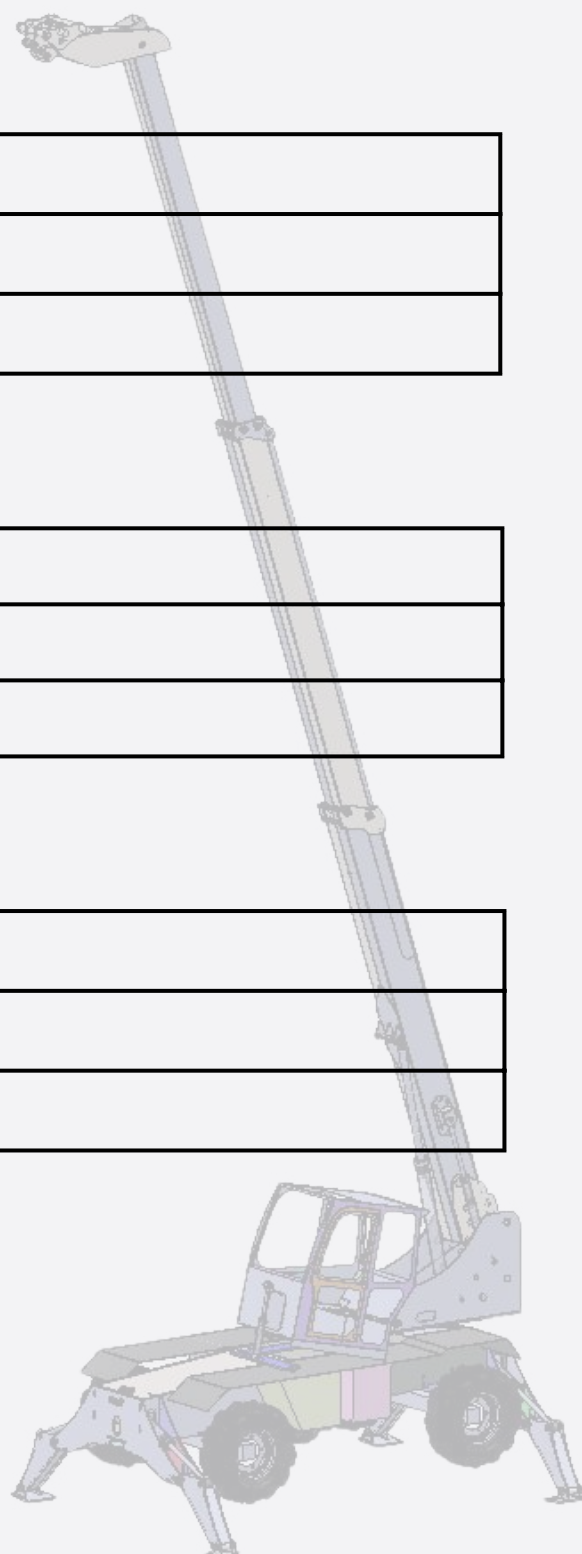
Pump Type	Gear Pump
Hydraulic Flow	100 lt/min
Hydraulic Pressure	200 bar

TANK CAPACITIES

Engine Oil	18 lt
Hydraulic oil	125 lt
Fuel tank	125 lt

NOISE AND VIBRATION

Noise at driving position (LPA)	68 dB
Environmenta noise (LwA)	106 dB
Vibration to whole hand/arm	< 2.50 m/s ²



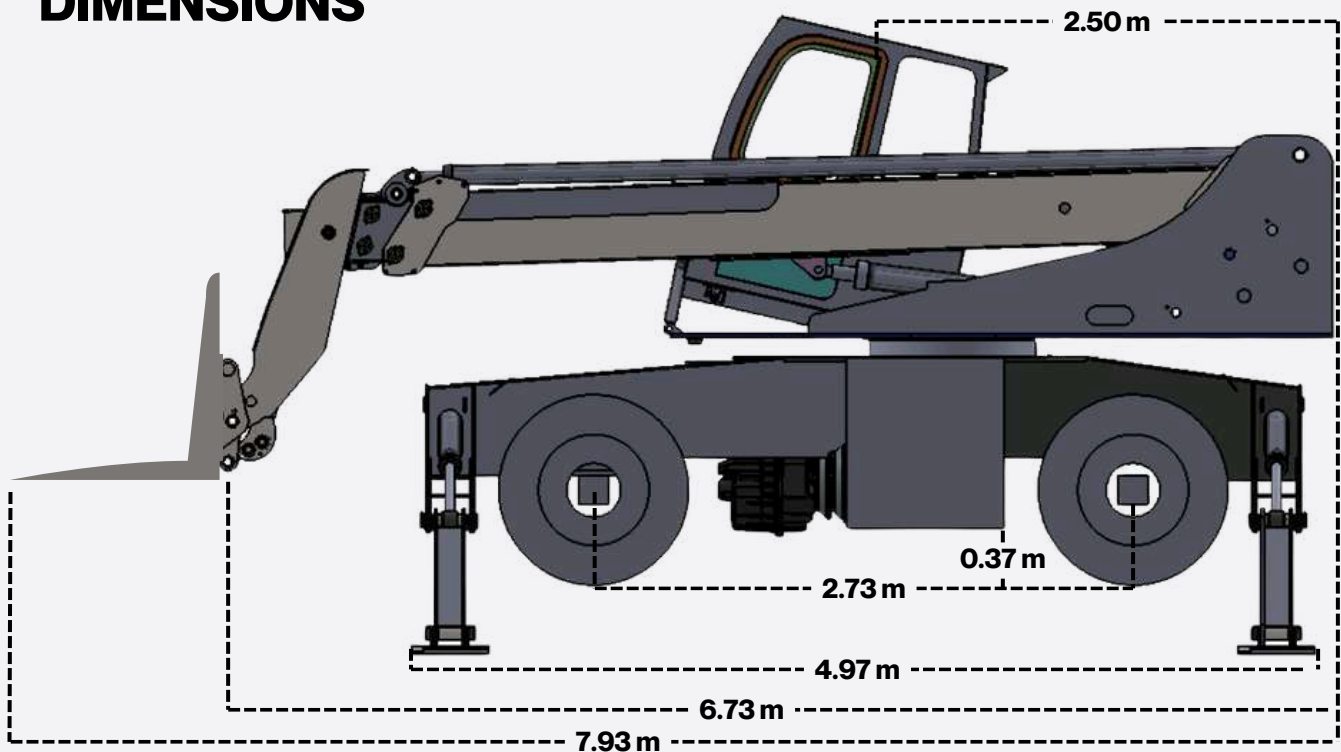


BGS-105/20

Rotating Telehandler

Technical Specifications

DIMENSIONS



Overall Length (with forks)	7.93 m
Length to Face of Forks	6.73 m
Length of Frame	4.97 m
Overall Length at Stabilisers	4.71 m
Wheelbase	2.73 m
Counterweight Offset (turret at 90°)	2.50 m
Ground Clearance	0.37 m

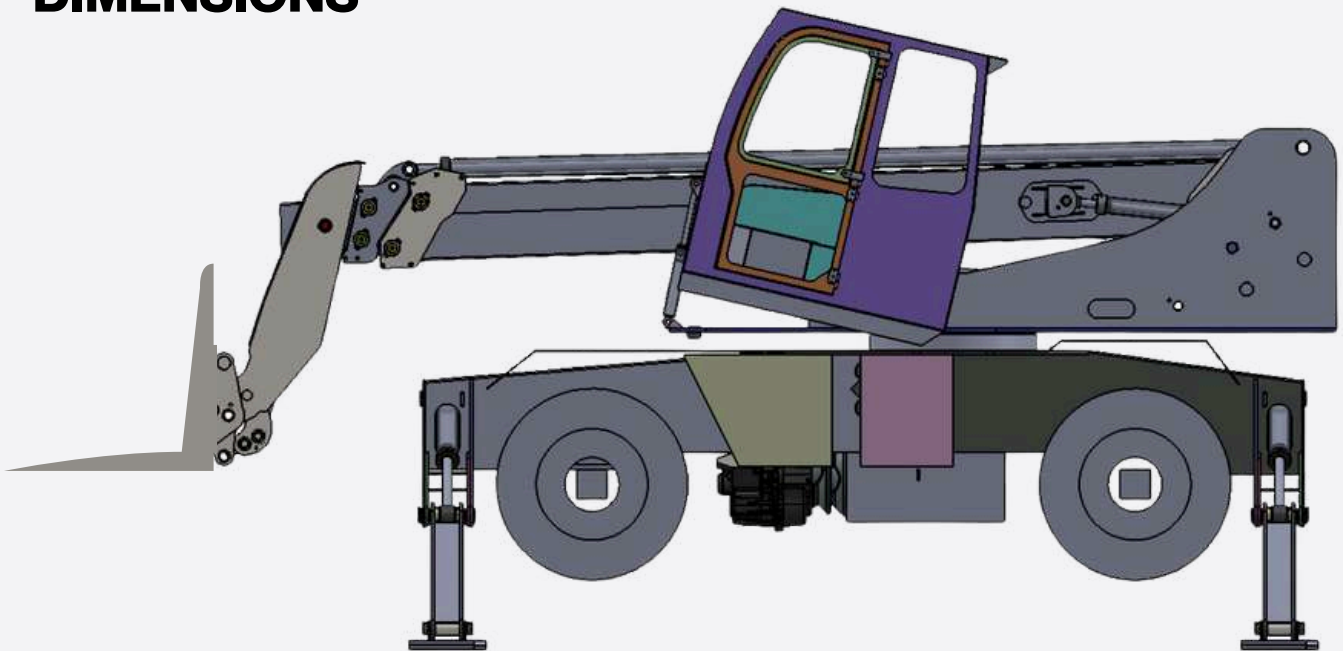


BGS-105/20

Rotating Telehandler

Technical Specifications

DIMENSIONS



External Turning Radius (over tyres)	4.16 m
Tilt-up Angle	10°
Tilt-down Angle	107°
Turret Rotation / Rotation (max.)	400° or 360°
Overall Weight	14900 kg
Forks Length / Width / Section	1200 mm x 125 mm x 50 mm

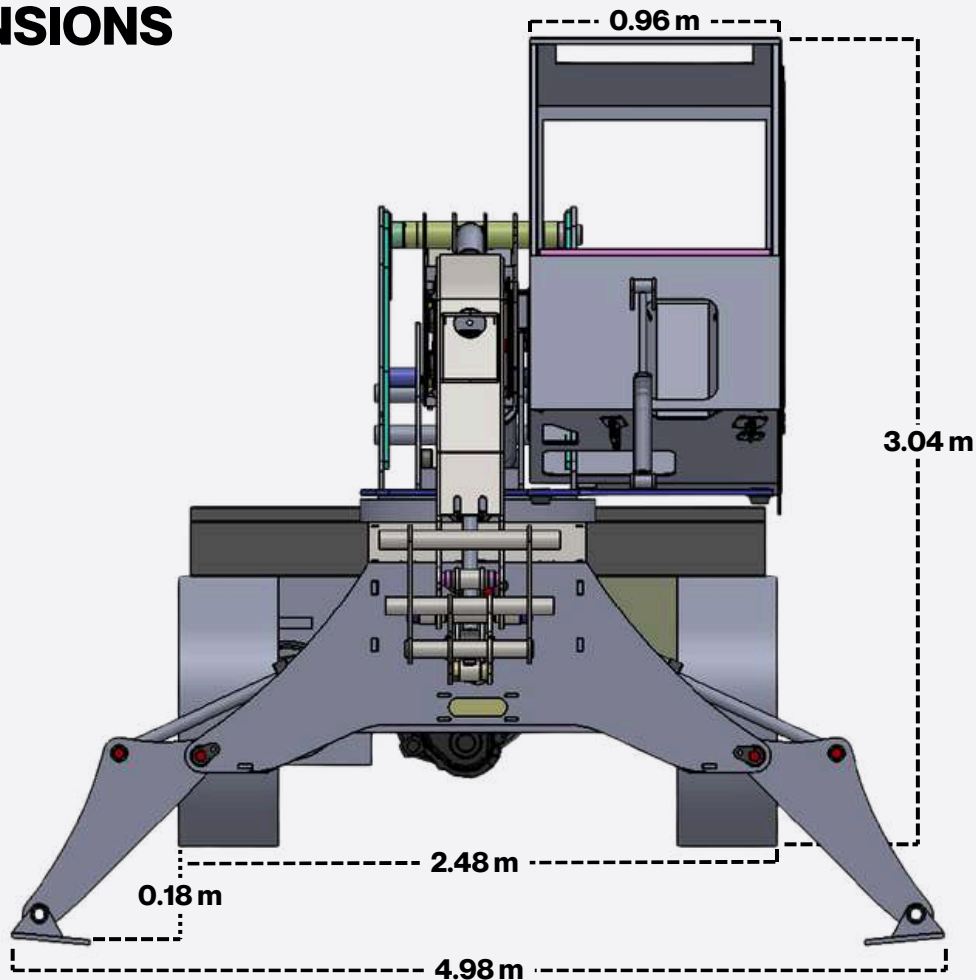


BGS-105/20

Rotating Telehandler

Technical Specifications

DIMENSIONS



Overall Width with Stabilisers Extended	4.98 m
Overall Height	3.04 m
Overall Width	2.48 m
Overall Cab Width	0.96 m
Ground Clearance under Front Tires on Stabilizers	0.18 m



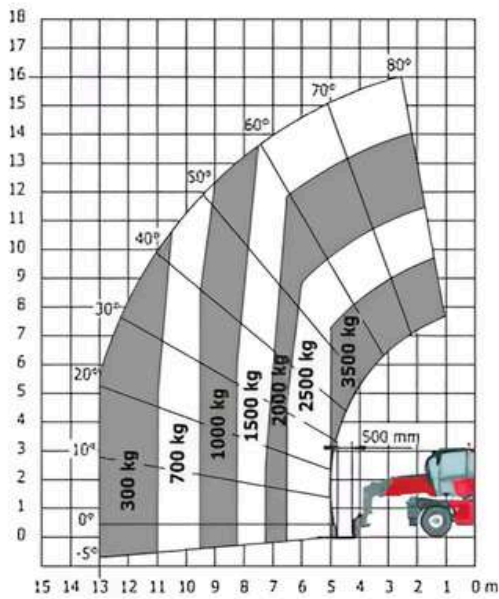
BGS-105/20

Rotating Telehandler

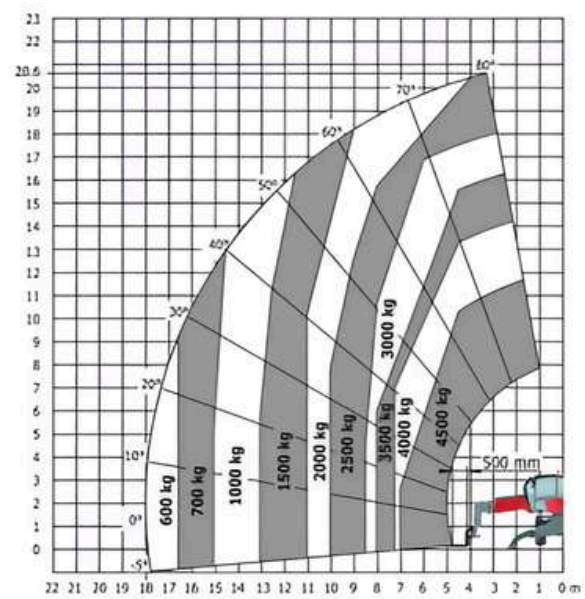
Technical Specifications

LOAD CHART

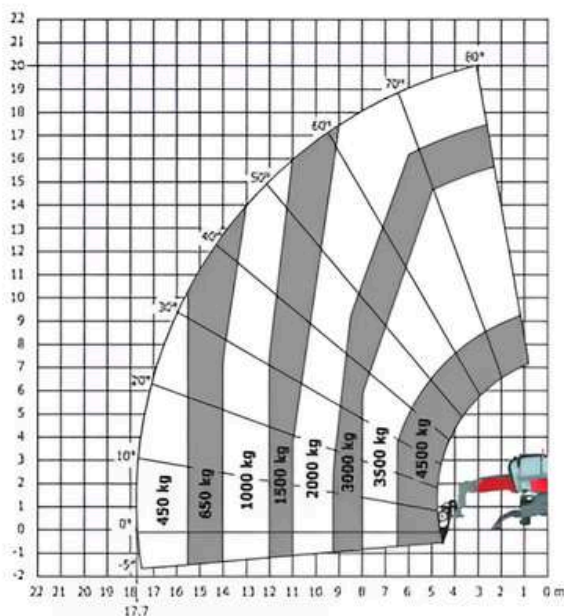
Machine on tires with forks



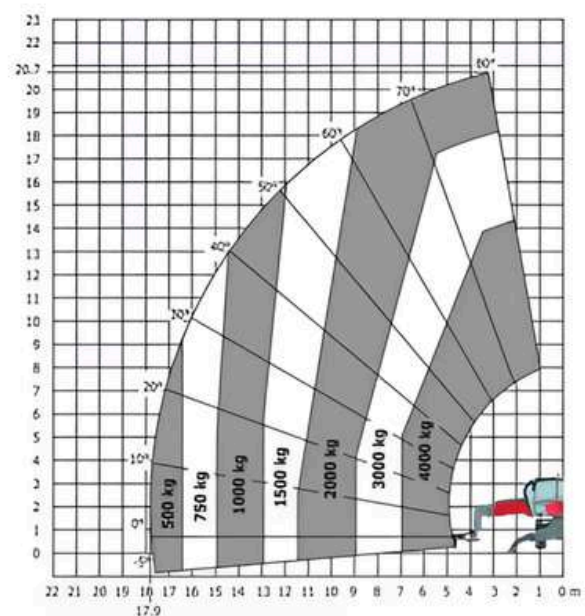
Machine on lowered stabilisers with forks



Machine on lowered stabilisers with winch 5000 kg



Machine on lowered stabilisers with 4000 kg jib





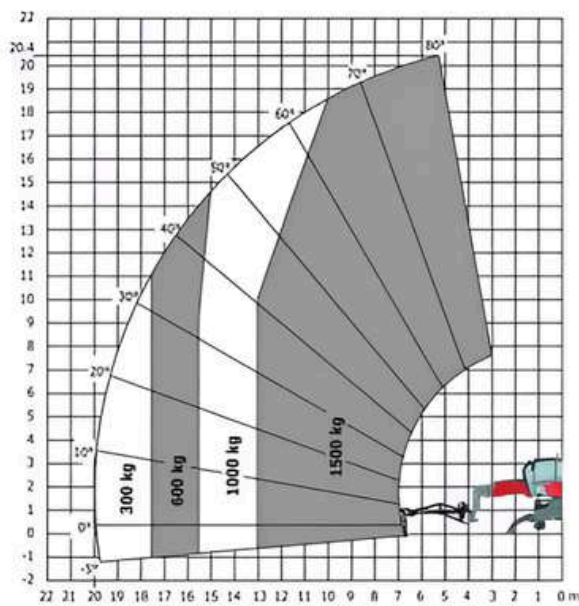
BGS-105/20

Rotating Telehandler

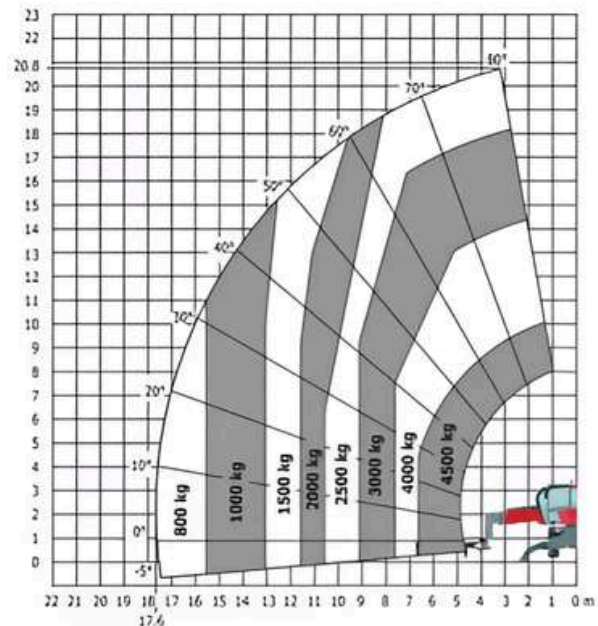
Technical Specifications

LOAD CHART

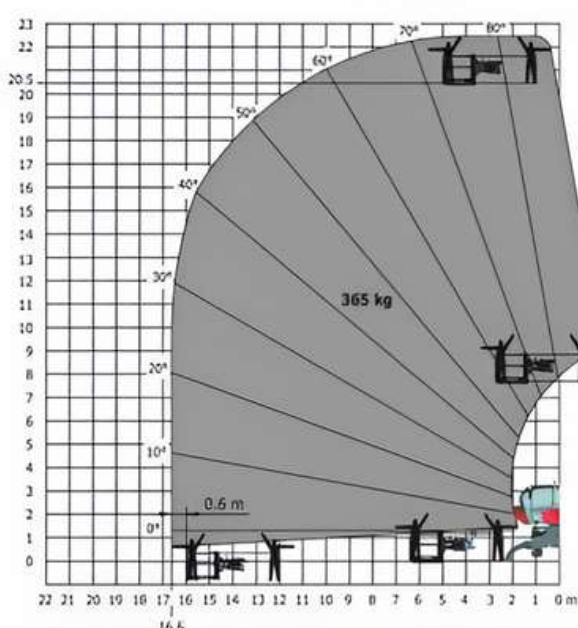
Machine on lowered stabilisers with 1500 kg jib with winch



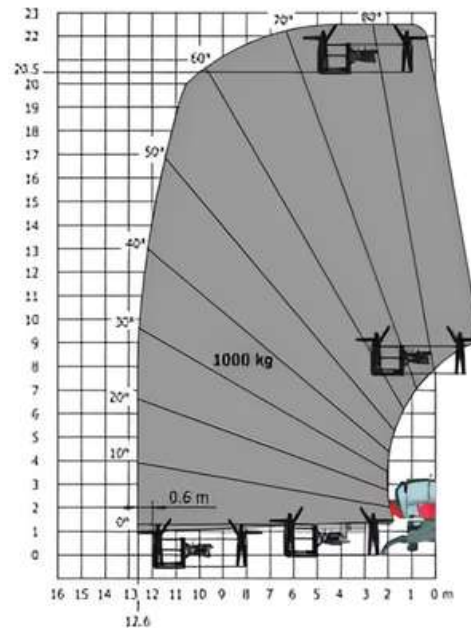
Machine on lowered stabilisers with hook 5000 kg



Machine on lowered stabilisers with 365 kg platform



Machine on lowered stabilisers with 1000 kg platform





BGS-105/20

Rotating Telehandler

Technical Specifications

COMPATIBLE ATTACHMENTS

- **Standart Bucket**
- Opening Bucket Large
- **Grain Bucket**
- Beet Bucket
- **Grapple Bucket**
- Silage Cutting Fork
- **Log Grapple Fork**
- Log Grapple 360°
- **Paper Roll Clamp**
- **Roll Bale Handling**
- Bale Skewer 3 Fork
- **Bale Skewer 7 Fork**
- Pallet Fork
- **Recycling Handling**
- Platform Basket Small
- **Platform Basket Large**
- Leveling Shovel







SCAN FOR
ATTACHMENTS





BAĞSAN

-  Horozluhan Mh. Albayrak Cd. No:1 Selçuklu / Konya / TÜRKİYE
-  www.bagsanglobal.com
-  info@bagsanglobal.com
-  +90 544 409 98 11

