



BAGSAN

MHR-105 Plus

Wheel Telescopic Loader



Technical Specifications

9
meters



MHR-105 Plus

Wheel Telescopic Loader

Technical Specifications

General Information

The MHR-105 Plus is built for high performance and durability, featuring a 9-meter lift height, 3-ton capacity, and 4x4 drive. Engineered for strength and precision, it's the ideal solution for demanding tasks across construction, agriculture, and more.

1- Engine

Brand & Model	Perkins 1104D-44T	Tümosan 4DT-39T-175C
Emissions	UN ECE R96 Stage IIIA, China Nonroad Stage III	Stage IIIA
Maximum Power	99.9 HP (74.5 kW)	105 HP @2300 rpm
Maximum Torque	392 Nm @ 1400 rpm	350 Nm @1500 rpm
Number of Cylinders	4 inline	4 inline
Cycle	4 stroke	4 stroke
Aspiration	Turbocharged	Turbocharged
Combustion System	Direct injection	Direct injection
Cooling System	Liquid	Liquid



MHR-105 Plus

Wheel Telescopic Loader

Technical Specifications

2- Chassis

Chassis	Subframe reinforced
Type	The front axle and rear axle are fixed to the fram
Tires	16.9/24

3- Cabin

Reverse View Camera
Optimized Viewing Angle
Widened Interior Cabin
High Capacity Air Conditioning
High Resolution Dashboard Colored
Air Suspension Seat
Carpet



MHR-105 Plus

Wheel Telescopic Loader

Technical Specifications

4- Steering System

Type	Hydraulic type steering and front wheel controlled by 4 cylinders
Automatic Gearbox	4 Stage (4 Fwd / 4 Rvs)
Steering Modes	4 WD, 4WD+CRAB (Optional)
Maximum Speed	30 km/h
Minimum Speed	8 km/h
Climbability	27°
Parking Brake	Pneumatic Diaphragm Brake System

5- Hydraulic System

Type	Fixed Displacement Gear Pump
Max. Output	117 L/min
Pilot Pump	51 L/min (Gear Wheel)



MHR-105 Plus

Wheel Telescopic Loader

Technical Specifications

6- Filling Capacity

Hydraulic System	120 L
Petrol Tank	85 L
Hydraulic Tank	60 L
Engine Oil	8 L
Engine Cooling	6 L

7- Electric System

Voltage	12 V
Batteries	12 V/180 Ah
Alternator	12 V
Starter	12 V

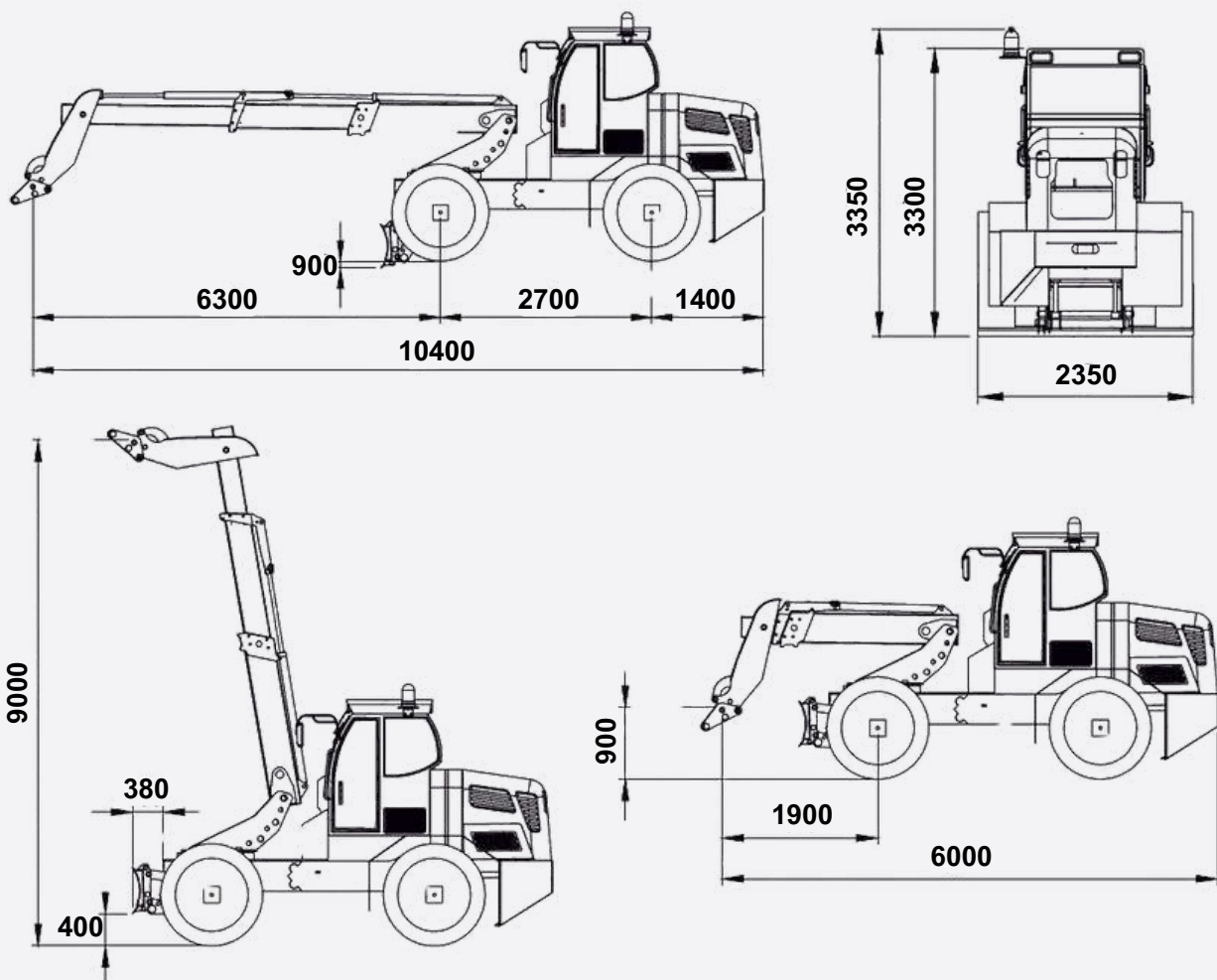


MHR-105 Plus

Wheel Telescopic Loader

Technical Specifications

8- Dimensions





MHR-105 Plus

Wheel Telescopic Loader

Technical Specifications

9- Compatible Attachments

- **Standart Bucket**
- **Opening Bucket Large**
- **Grain Bucket**
- **Beet Bucket**
- **Grapple Bucket**
- **Silage Cutting Fork**
- **Log Grapple Fork**
- **Log Grapple 360°**
- **Paper Roll Clamp**
- **Roll Bale Handling**
- **Bale Skewer 3 Fork**
- **Bale Skewer 7 Fork**
- **Pallet Fork**
- **Recycling Handling**
- **Platform Basket Small**
- **Platform Basket Large**
- **Leveling Shovel**







**SCAN FOR
ATTACHMENTS**



www.bagsanglobal.com



BAĞSAN

-  Horozluhan Mh. Albayrak Cd. No:1 Selçuklu / Konya / TÜRKİYE
-  www.bagsanglobal.com
-  info@bagsanglobal.com
-  +90 544 409 98 11

