



BAGSAN

MHR 105 TELESCOPIC TECHNICAL INFORMATIONS



You can scan the QR code to watch
the presentation video

www.bagsanglobal.com





You can scan the QR code to watch the presentation video



ENGINE

Brand	: Tümosan 4DT-39T-175C
Type	: Water cooling, 4 stroke, 4 cylinders, direct injection
Power	: 105 BG @2300 rpm
Max. Couple	: 350 Nm @1500 rpm
Cylinder	: 3908 cc
Diameter And Stroke	: 106,5 mm x 115 mm
Emission Class	: Stage IIIA

SUBFRAME

Chassis	: Subframe reinforced
Type	: The front axle and rear axle are fixed to the fram
Tires	: 16,9/24

CABIN

- * Optimized Viewing Angle
- * Widened Interior Cabin
- * High Capacity Air Conditioning
- * High Resolution Dashboard Colored
- * Air Suspension Seat , Ultimate Comfort For The Operator
- * Carpet

STEERING SYSTEM

Hydraulic type steering and front and rear wheels controlled by four cylinders and crab steering

Movement And Brakes : Automatic Gearbox (Made in Turkey)

Gearbox : 4 Stage

MOVEMENT SPEED

Maximum	: 30 km/h
Minimum	: 8 km/h
Climbability	: 27°
Hand Brake	: Pneumatic , Blow Type

HYDRAULIC SYSTEM

Main Pump	:
Type	: Fixed Displacement Gear Pump
Max. Output	: 117 L/min
Pilot Pump	: Gear wheel, 51 L/min

CYLINDER

Telescopic Boom	: 1 x Ø70 x 85 x 1650mm Ø45 Rotule De Direction 1650 mm
Turner	: 2 x Ø80 x 95 x 745 mm
Collector	: 1 x Ø120 x 140 x 605 mm
Lifter	: 2 x Ø90 x 105 x 1000 mm
Leveling Shovel	: 1 x Ø80 x 95 x 360 mm

FILLING CAPACITY

Petrol Tank	: 85 L	Engine Oil	: 8 L
Hydraulic Tank	: 60 L	Engine Cooling	: 6 L
Hydraulic System	: 120 L		

Electric System

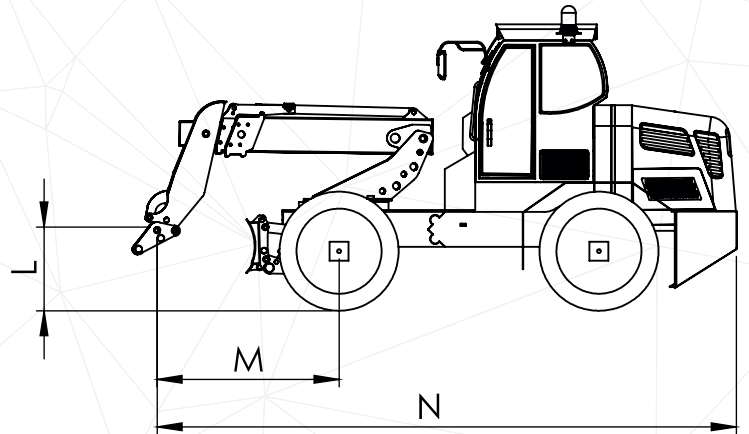
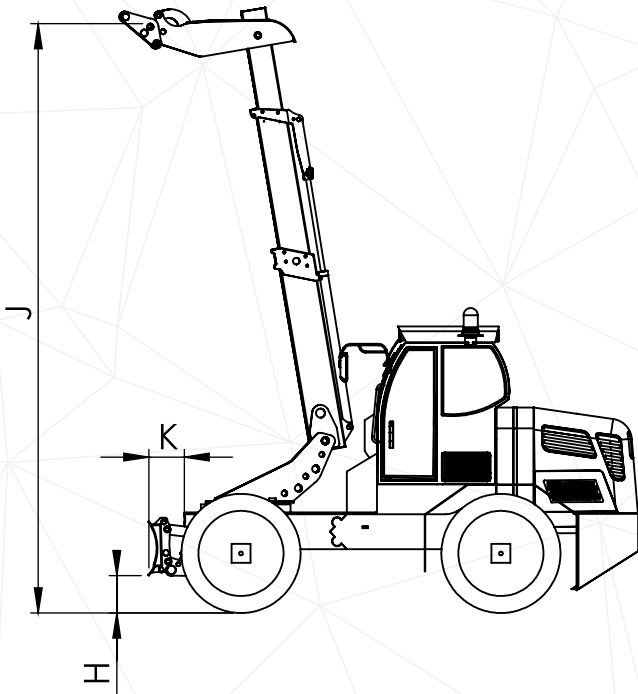
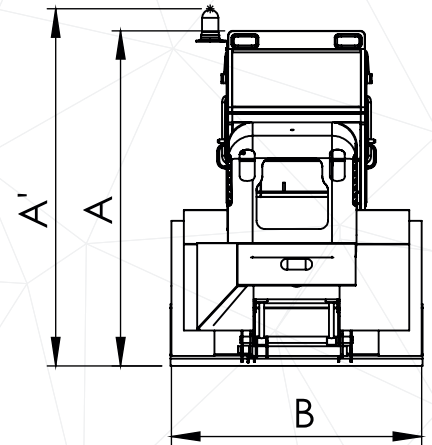
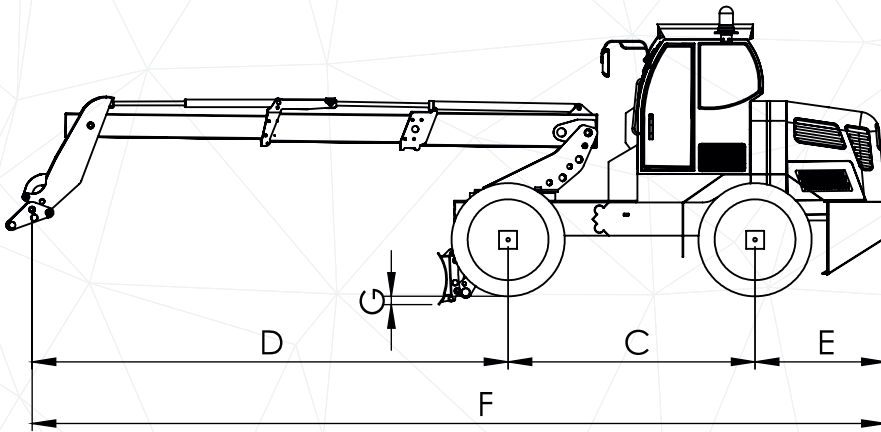
Voltage	: 12 V
Batteries	: 12 V/180 Ah
Alternator	: 12 V
Starter	: 12 V

WEIGHT

Operational Weight Of The Machine : 9000 Kg

LUBRICATION

Centralized lubrication system for hard-to-reach places such as telescopic booms



A	330 cm
A'	335 cm
B	235 cm
C	270 cm
D	510 cm
E	140 cm
F	920 cm

G	90 cm
H	40 cm
J	780 cm
K	38 cm
L	90 cm
M	190 cm
N	600 cm



Ability to turn 90 degrees to the right and left

You can scan the QR code to watch the presentation video

